



MODEL: 99622
2" X 25' LAY-FLAT DISCHARGE
HOSE KIT

Inventory

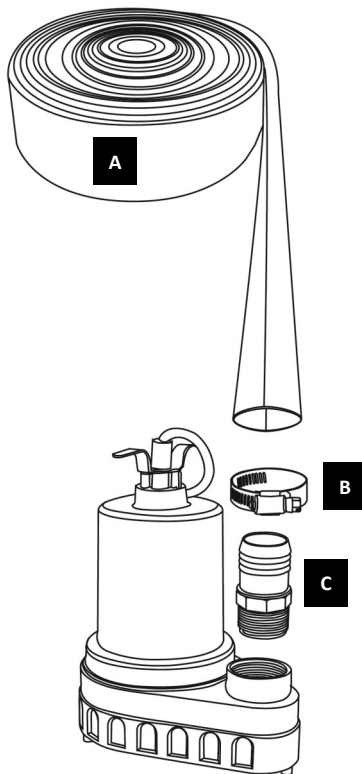
- A. 2" x 25' reinforced PVC lay-flat hose
- B. Stainless steel hose clamp
- C. 1-1/2" MPT x 2" BARB adapter
- D. 2" MPT x 2" BARB adapter



1-1/2" Discharge Assembly

1. Thread/tighten** BARB adapter **C** into pump
2. Slide hose clamp **B** over BARB adapter **C**.
3. Attach one end of lay-flat hose **A** over BARB adapter **C**. (Tip: add a small drop of dish soap to BARB adapter **C** to help attach.)
4. Slide hose clamp **B** up and over lay-flat hose **A** centering hose clamp **B** over the BARB's of BARB adapter **C**.
5. Tighten hose clamp **B**.

1-1/2" Discharge



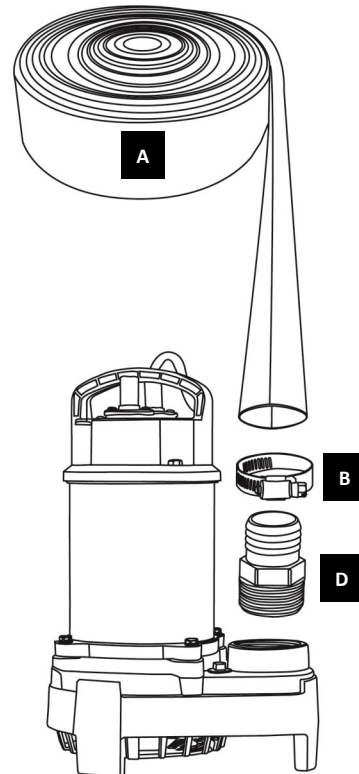
2" Discharge Assembly

1. Thread/tighten** BARB adapter **D** into pump.
2. Slide hose clamp **B** over BARB adapter **D**.
3. Attach one end of lay-flat hose **A** over BARB adapter **D**. (Tip: add a small drop of dish soap to BARB adapter **D** to help attach.)
4. Slide hose clamp **B** up and over lay-flat hose **A** centering hose clamp **B** over the BARB's of BARB adapter **D**.
5. Tighten hose clamp **B**.

* Pump sold separately

**Thread seal tape is recommended

2" Discharge



Operation

1. Refer to pump* owners manual for proper operation.
2. Max working pressure 60 psi.
3. Temperature range: 32°F to 120°F.

LIMITED WARRANTY

Manufacturer warrants the products specified in this warranty to be free from defects in material or workmanship for 90 days from date of purchase. During the time period and subject to the terms and conditions, the manufacturer will repair or replace to the original user or consumer any portion of this product which proves to be defective due to materials or workmanship. At all times the manufacturer shall have and possess the sole right and option to determine whether to repair or replace defective equipment, parts, or components. The manufacturer has the option to inspect any product returned under warranty to confirm that the warranty applies before repair or replacement under warranty is approved. This warranty sets forth the manufacturer's sole obligation and purchaser's exclusive remedy for defective product. Return defective product to the place of purchase for warranty consideration.

WARRANTY PERIOD - PRODUCTS:

If, within the duration of product use by the original user, this product proves to be defective due to materials or workmanship, the product shall be repaired or replaced at the manufacturer's option, subject to the terms and conditions set forth in this warranty statement. Proof of purchase is required for warranty consideration. In the absence of suitable proof of the purchase date, the effective period of this warranty is one month from the product's date of manufacture.

LABOR, ETC. COSTS:

The manufacturer shall IN NO EVENT be responsible or liable for the cost of field labor or other charges incurred by any customer in removing and/or affixing any product, part, or component thereof.

PRODUCT IMPROVEMENTS:

The manufacturer reserves the right to change or improve its products or any portions thereof without being obligated to provide such a change or improvement for units sold and/or shipped prior to such change or improvement.

GENERAL TERMS AND CONDITIONS:

Any oral statements about the product made by the seller, the manufacturer, the representatives, or any other parties do not constitute warranties, shall not be relied upon by the user, and are not part of the contract for sale. Seller's and the manufacturers only obligation, and buyer's only remedy, shall be the replacement and/or repair by the manufacturer of the product as described above. NEITHER SELLER NOR THE MANUFACTURER SHALL BE LIABLE FOR ANY INJURY, LOSS OR DAMAGE, DIRECT, INCIDENTAL OR CONSEQUENTIAL (INCLUDING, BUT NOT LIMITED TO, INCIDENTAL OR CONSEQUENTIAL DAMAGES FOR LOST PROFITS, LOST SALES, INJURY TO PERSON OR PROPERTY, OR ANY OTHER INCIDENTAL OR CONSEQUENTIAL LOSS), ARISING OUT OF THE USE OR THE INABILITY TO USE THE PRODUCT, AND THE USER AGREES THAT NO OTHER REMEDY SHALL BE AVAILABLE TO IT. Before using, the user shall determine the suitability of the product for his/her intended use, and user assumes all risk and liability whatsoever in connection therewith.

1. Product is used for purposes other than those for which it was designed and manufactured
2. Product not installed in accordance with applicable codes, ordinances, and good trade practices

DISCLAIMER:

THE WARRANTY AND REMEDY DESCRIBED IN THIS LIMITED WARRANTY IS AN EXCLUSIVE WARRANTY AND REMEDY AND IS IN LIEU OF ANY OTHER WARRANTY OR REMEDY, EXPRESSED OR IMPLIED, WHICH OTHER WARRANTIES AND REMEDIES ARE HEREBY EXPRESSLY EXCLUDED, INCLUDING BUT NOT LIMITED TO ANY IMPLIED WARRANTY OF MERCHANTABILITY OR FITNESS FOR A PARTICULAR PURPOSE, TO THE EXTENT EITHER APPLIES TO A PRODUCT SHALL BE LIMITED IN DURATION TO THE PERIODS OF THE EXPRESSED WARRANTIES GIVEN ABOVE.

Some states and countries do not allow the exclusion or limitations on how long an implied warranty lasts or the exclusion or limitation of incidental or consequential damages, so the above exclusion or limitations may not apply to you. This warranty gives you specific legal rights, and you may also have other rights which vary from state to state.

Customer Support

800-495-9278 - superiorpump.com

Copyright © 2020 Superior Pump. All Rights Reserved.

Superior Pump

2301 Traffic St. NE - Minneapolis, MN 55413